



## SWITCHOVER DOCUMENT

**ISE70/71 Series**  
High Precision Digital Pressure  
Switch with IO-Link

# Improved features and related benefits

## Feature:

- IO-Link Output. Can check the pressure measurement value, diagnostic information and switch output status using cyclic data communication via the IO-Link system. All output options in one product.

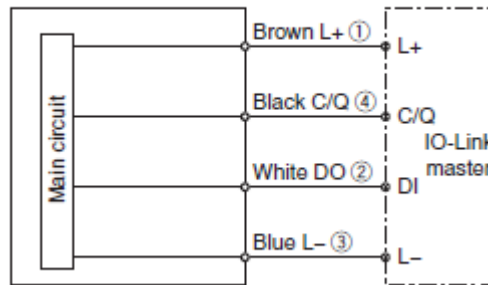


## Customer Benefit:

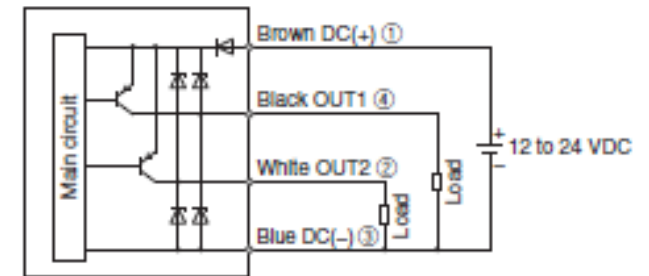
- Greater control of the applications (more data, internal error warning)
- Cost-effective (plug&play, reduces hardware and programming costs - reducing labour and mistakes when setting)
- Tamper free.
- Noise immunity.

Note) The new ISE70 Series includes an IO-Link/switch function. This means that the customer can use the new series for both IO-Link and NPN/PNP output.

When used as an IO-Link device



Setting of PNP open collector 2 outputs



New ISE70/71

## Feature:

- Angled display

## Customer Benefit:

- Ensures visibility with various mounting positions
- Design flexibility
- More installation options



New ISE70/71

## Improved features and related benefits

### Feature:

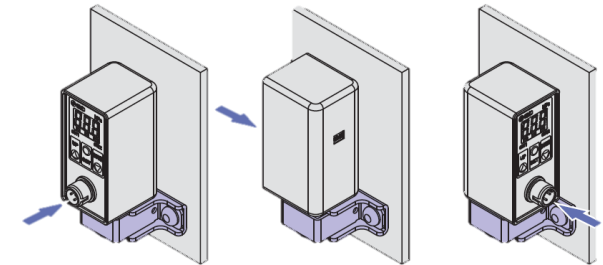
- Unit rotation mechanism

### Benefit:

- Adapting to any ulterior modification
- Ensures visibility with various mounting positions
- Design flexibility
- More installation options.



New ISE70/71



Current ISE70

### Feature:

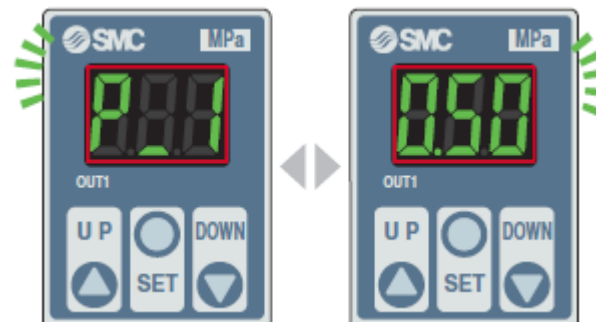
- 3-Screen Display

### Benefit:

- Easy visualisation and time saving.
- Two specified items can be displayed in the subscreen
- Fewer button operations are required



New ISE70/71



Current ISE70

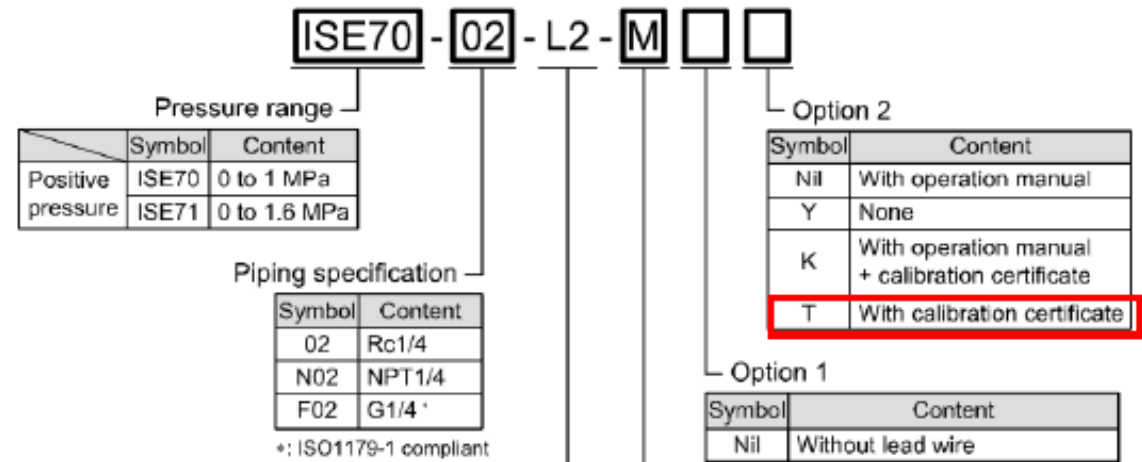
## Improved features and related benefits

### Feature:

- Calibration certificate as a standard option.

### Benefit:

- No special order code, better availability.



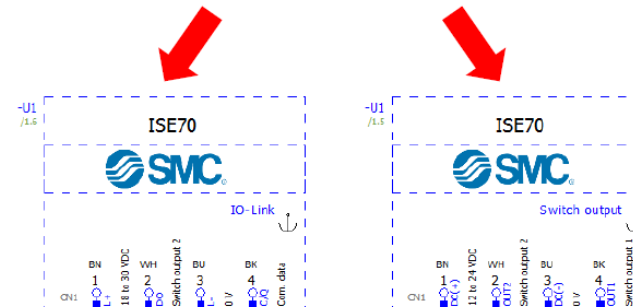
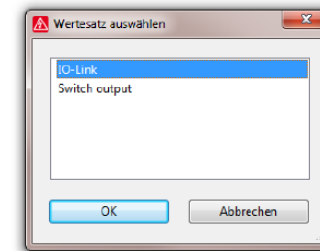
### New ISE70/71

### Feature:



- Chose between IO-Link and the switch output when placing the new EPLAN.

### Benefit:

- Use one macro and one article in the database instead of two.



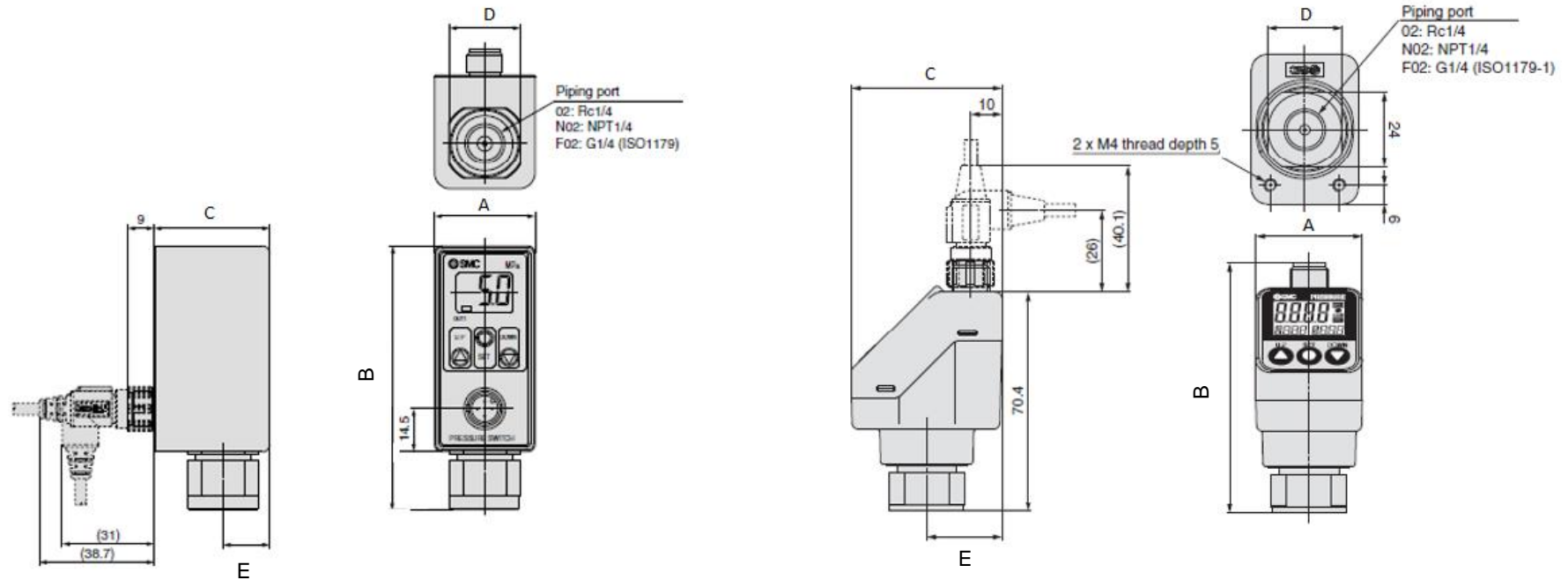
## Standard specifications

| Series                        |                 | Current ISE70  | New ISE70/71   |
|-------------------------------|-----------------|--|--|
| Picture                       |                 |  |  <b>IO-Link</b> |
| Applicable fluid              |                 | Air, non-corrosive gas, non-flammable gas  |  |
| Rated pressure range          |                 | 0.0 to 1 MPa   | ISE70: 0 to 1.0 MPa // ISE71: 0 to 1.6 MPa   |
| Withstand pressure            |                 | 1.5 MPa  | ISE70: 1.5 MPa // ISE71: 2.4 MPa   |
| Smallest adjustable increment |                 | 0.01 MPa   | 0.001 MPa  |
| Response time                 |                 | 2.5 ms (with anti-chattering function: 20 ms, 160 ms, 640 ms, 1000 ms, 2000 ms)    | 1.5 ms or less, variable from 0 to 60 s/0.01 s increments  |
| Repeatability                 |                 | ±0.5%F.S. or less  |  |
| Output                        | Switch output   | 2 outputs NPN/PNP  |  |
|                               | Analogue output | -  |  |
|                               | IO-Link         | -  | Yes  |
| Display                       |                 | 2-colour display // 1-screen display   | 3-colour display // 3-screen display   |
| Current consumption           |                 | 55 mA or less  | 35 mA or less  |
| Operating temperature range   |                 | 0° to 50°C   |  |
| Enclosure                     |                 | IP67   |  |
| Weight                        |                 | 190 g  | 150 g  |
| Wetted parts materials        |                 | Fitting C3604, O-ring: NBR   | Fitting C3604, O-ring: FKM   |
| Internal voltage drop         |                 | 1.0 V or less  | 1.5 V or less  |

Difference in specifications

## Dimensions

General dimensions



| A [mm]  |     | B [mm]  |      | C [mm]  |     | D [mm]  |     | E [mm]  |     |
|---------|-----|---------|------|---------|-----|---------|-----|---------|-----|
| Current | New | Current | New  | Current | New | Current | New | Current | New |
| 34      | 34  | 90      | 80.4 | 39      | 48  | 24      | 24  | 15.7    | 24  |

Difference in specifications

## Accessories

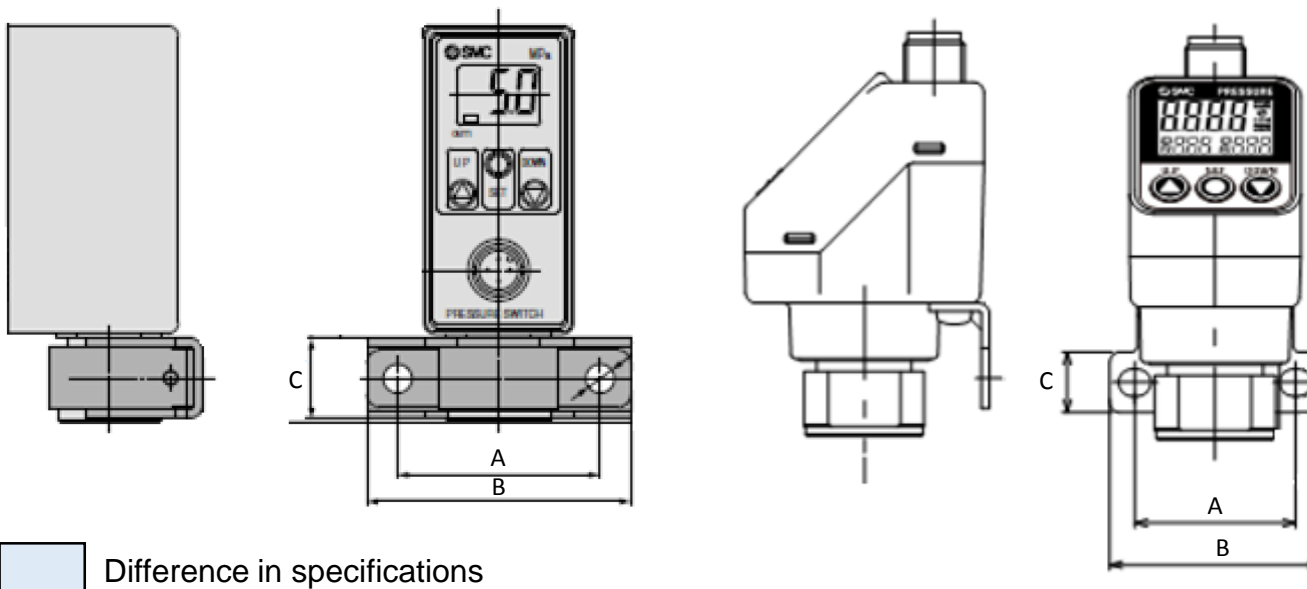
Brackets and lead wires

|  | Current ISE70 | New ISE70/71  |
|--|---------------|---|
| Bracket A                                  | ZS-31-A       | The bracket is under development and is not available yet.* |
| Bracket B                                  | -             | The bracket is under development and is not available yet.  |
| Lead wire with M12 connector, straight     | ZS-31-B       | ZS-31-B   |
| Lead wire with M12 connector, right-angled | ZS-31-C       | ZS-31-C   |

\*Interchangeable with the current mounting

## Brackets

ISE70 with Bracket A // ISE70/71 with Bracket B



|   | Current ISE70<br>Bracket A<br>[mm] | New ISE70/71<br>Bracket B<br>[mm] |
|---|------------------------------------|-----------------------------------|
| A | 46                                 | 32                                |
| B | 60                                 | 42                                |
| C | 18.3                               | 12                                |